

Next generation of innovative design
Screw compressor dedicated to
R134a, R513A, R1234ze
R450A, R1234yf

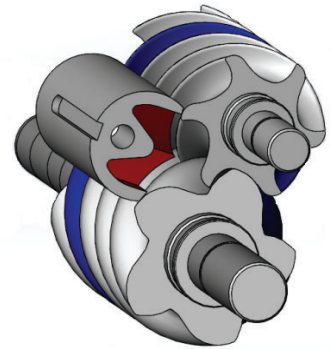
High COP & IPLV Model RE Series Screw Compressor



Highlights of RE Compressor Features

Innovative Screw Rotor Profile

- Large displacement with short sealing line
- Compact in size with hyper volumetric efficiency
- Remarkable COP/EER performance and seasonal IPLV/ESEER
- Small torque transmission and low frictional loss
- Designed for certification of ASHRAE 90.1, EU 2016/2281, ISEER 2020



Down-to-earth Design

- Over-sized premium radial and axial bearings.
- Semi-hermetic, suction gas cooled induction motor
- Effective capacity control matches various load applications
- Optimized refrigerant path with minimum loss
- Lateral discharge port available for flooded evaporator

Low Oil Carry-over Separator

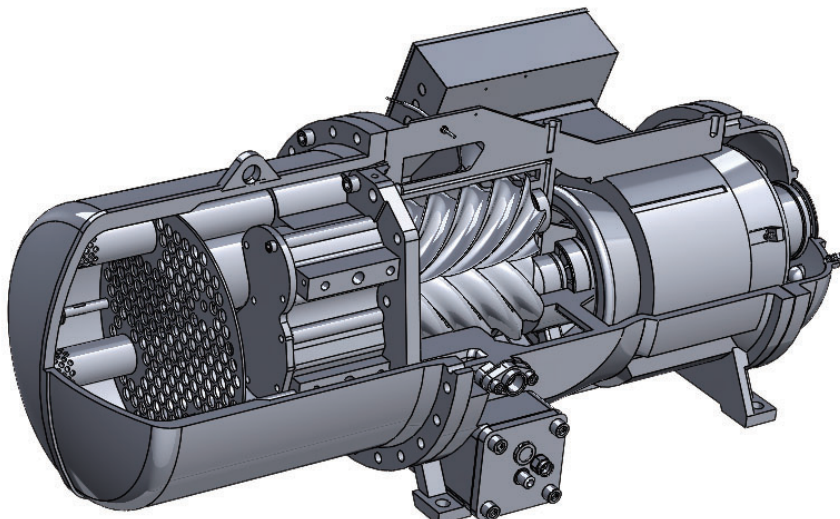
- Finest 3-step oil separation with minimum pressure drop
- Low carry-over, great heat transfer efficiency
- Simple and highly reliable oil separation

Optimized Volume Ratio Flexibility

- Volume ratio options for water-cooled, air-cooled, process cooling, and heat pumps operation.
- No compromise on efficiency at flooded, falling-film and DX chiller design
- Avoid loss on over- or under-compression

Quiet Operation, Low Vibration, Long Compressor Life

- Dedicated oil circuit to cool and lubricate bearings and rotors
- Sturdy compressor mounting and compression chamber
- Comprehensive protection devices

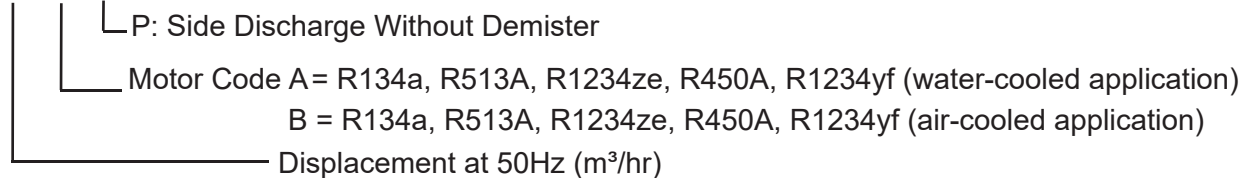


Compressor Protection & Devices

- Motor winding temperature protection
- Discharge temperature protection
- INT69HBY motor protector module
- Optical oil level switch
- Oil filter with replaceable cartridge
- Insulated oil heater
- Internal pressure relief valve
- Non-return valve and service stop valve
- Nitrogen protective charge
- IP54 Terminal box

Compressor Nomenclature

RE - XXX X X

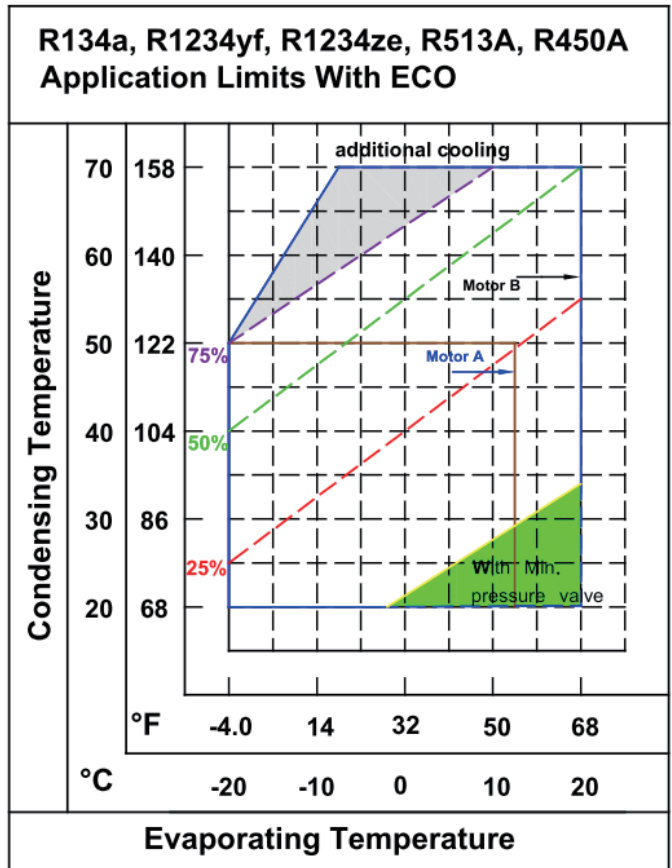
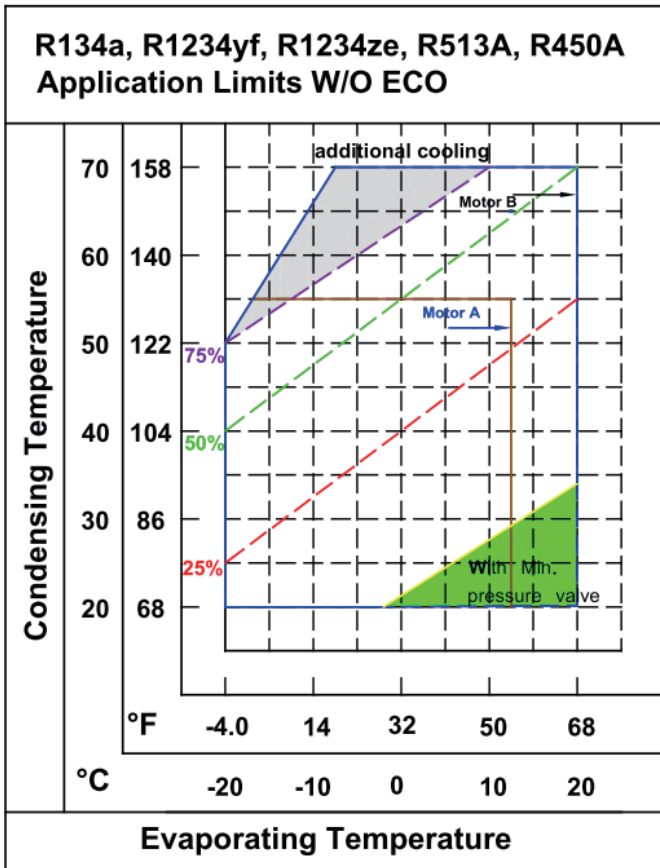


Technical Data

| MODEL | COMPRESSOR | | | | | MOTOR | | | | | LUBRICANT CHARGE | WEIGHT | |
|--------------------|---------------------------|----------------|-----|------------------|----------|------------|-----------|------------------|-------------|---------|------------------|---------|---------|
| | Displacement 60 / 50Hz | Rated Speed | Vi | Cap. Control (%) | | Nominal Hp | | Motor Starter | Voltage (V) | | | | |
| | m ³ /hr | 60 / 50Hz | | Step | Stepless | 60Hz(A/B) | 50Hz(A/B) | | 60Hz | 50Hz | | | |
| RE-230A(P) / B(P) | 280/232 | 3550/ 2950 | 2.2 | 25 | 25~100 | 56/74 | 47/63 | Y-Δ | 220* | 380 | 14 | 380 | |
| RE-260A(P) / B(P) | 320/266 | | | | | 63/82 | 52/68 | | | | 16 | 440 | |
| RE-300A(P) / B(P) | 369/307 | | | | | 70/97 | 58/80 | | | | 16 | 480 | |
| RE-340A(P) / B(P) | 423/352 | | | | | 80/108 | 67/90 | | | | 16 | 550 | |
| RE-380A(P) / B(P) | 471/392 | | 2.6 | | | 90/122 | 75/102 | PWS | 380 | 400 | 16 | 570 | |
| RE-420A(P) / B(P) | 501/417 | | | | | | | | | | 97/146 | 80/122 | 16 |
| RE-480A(P) / B(P) | 579/481 | | 3.0 | | | 50 | 107/166 | 90/138 | DOL | 440 | 415 | 17 | 630 |
| RE-550A(P) / B(P) | 666/554 | | | | | | | | | | | 131/185 | 110/154 |
| RE-620A(P) / B(P) | 752/625 | | 3.5 | 75 | 146/215 | 122/178 | Y-Δ | 460 | 440 | 23 | 870 | | |
| RE-710A(P) / B(P) | 857/712 | | | | | | | | | 166/233 | 138/194 | 26 | 920 |
| RE-820A(P) / B(P) | 987/820 | | 4.4 | 100 | 196/257 | 164/215 | DOL | 480 | 480 | 28 | 1050 | | |
| RE-920A(P) / B(P) | 1112/924 | | | | | | | | | 215/298 | 178/248 | 28 | 1135 |
| RE-1050A(P) / B(P) | 1254/1045 | | | | | | | | | 241/322 | 201/268 | 40 | 1480 |
| RE-1150A(P) / B(P) | 1374/1145 | | | | | | | | | 264/354 | 220/295 | 40 | 1500 |

*220V available on request

Application Limits



To apply the refrigerant not listed above, please contact Hanbell for application guide.



SHANGHAI HANBELL PRECISE MACHINERY CO., LTD

No.8289, Tingfeng RD, Fengjing Area, JinShan District, Shanghai
 TEL:+86-21-57350280 FAX:+86-21-57352004
<http://www.shahanbell.com.cn>
 E-mail:sales@shahanbell.com

HERMES VIET NAM MACHINERY COMPANY LTD

Block 28-30-32, 11 Street, Tan Duc Industrial Park, Commune, Duc Hoa District, Long An Province, Viet Nam.
 TEL: +84-72-3769688 FAX: +84-72-3769690

HANBELL KOREA

555-93, Baekseok-dong, Seobuk-gu, Cheonan-si, Chungcheongnam-do, Korea
 TEL:+82-41-562-5888 FAX:+82-41-562-5887
<http://hanbell.co.kr>
 E-mail:sales1@hanbell.com

HANBELL PRECISE MACHINERY CO., LTD.

NO.5 Kongsan Road, Kuan-Yin Industrial Park, Kuan-Yin District, Tao-Yuan City, Taiwan, R.O.C.
 TEL:+886-3-4836215
 FAX:+886-3-4836223
<http://www.hanbell.com>
 E-mail:sales1@hanbell.com

HANBELL EUROPE

Via dei Campazzi 25 / 27, 21040 Gerezano (VA), Italia
 TEL:+39-02-962-80188 FAX:+39-02-962-48011
<http://www.comer-srl.com>
 E-mail:sales.it@comer-srl.com

HANBELL MIDDLE EAST

FZJOA220, Jabel Ali, Dubai, UAE
 E-mail:sales1@hanbell.com



HBCE-RE-20-A(500)