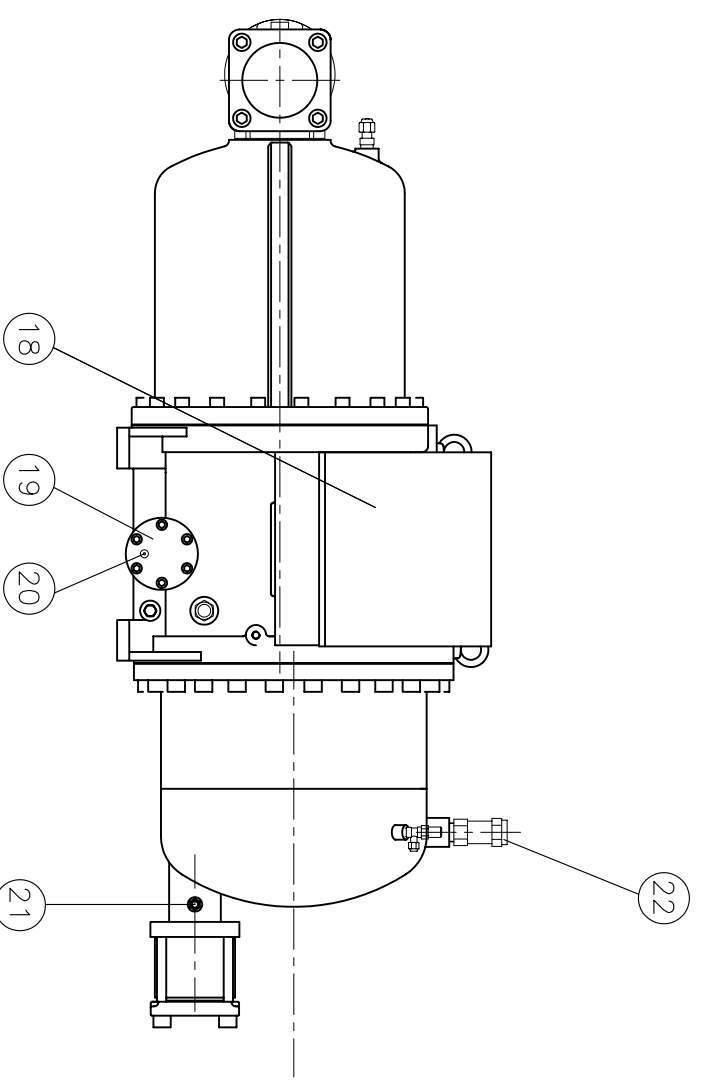
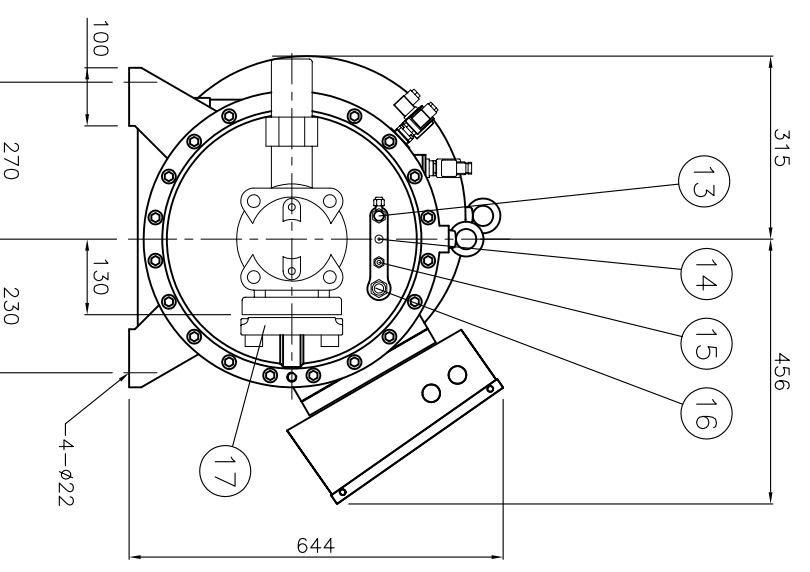
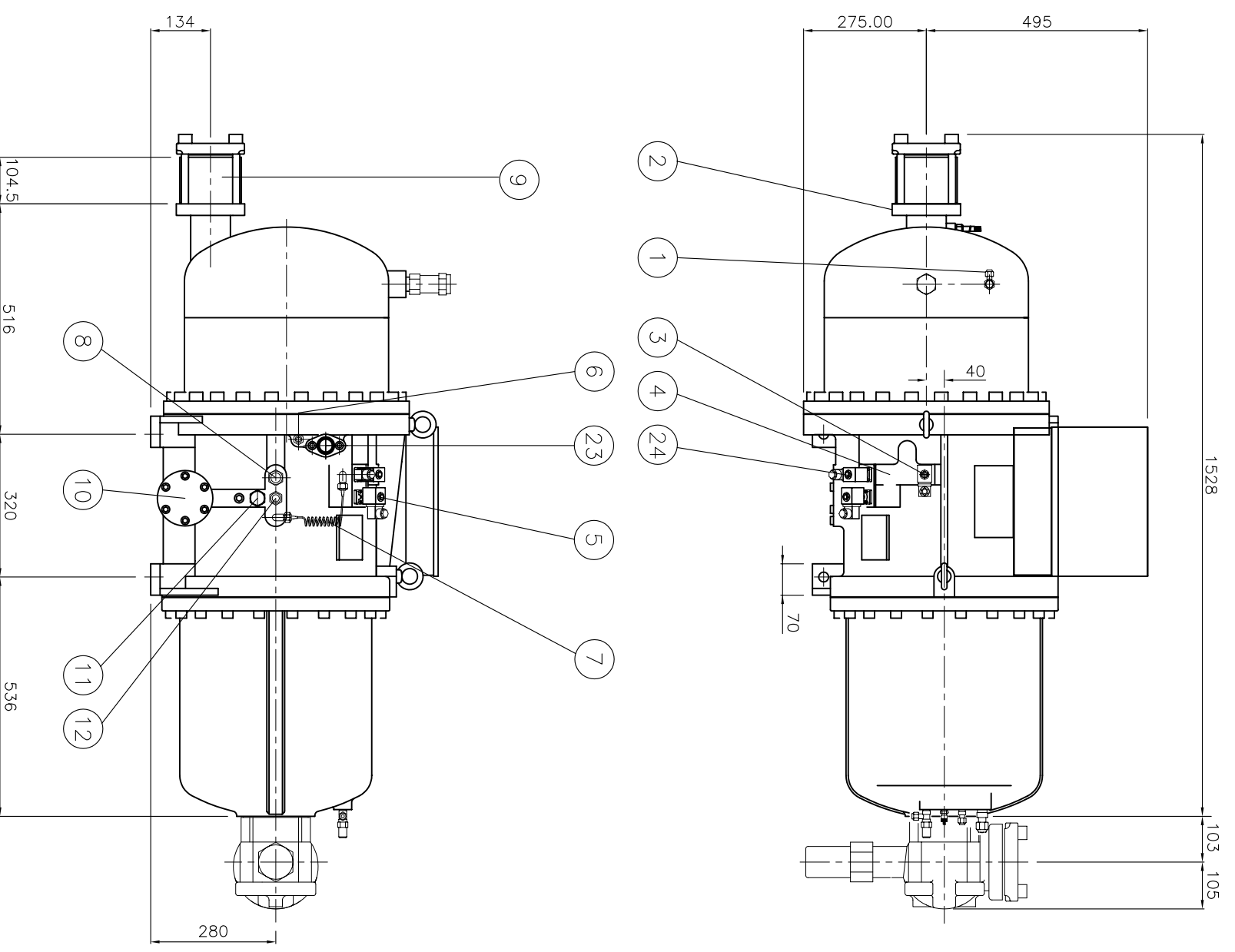


No.	Name	Note	No.	Name	Note
1	Angle valve	1/4"Flare	13	Angle valve	1/4"Flare
2	Discharge flange	3"	14	Refrigerant service valve	1/4"Flare
3	Solenoid valve	50%(NC)	15	Connector	1/4"Flare
4	Solenoid valve	75%(NC)	16	Liquid injection connector	5/8"Flare, option
5	Solenoid valve	25%(NC)	17	Suction flange	4"
6	Liquid(oil or refrigerant) injection connector	3/8"Flare, option	18	Cable box	Large
7	Capillary		19	Service flange	
8	Oil flow sight glass		20	Oil drain valve	option
9	Check valve	3"	21	Discharge temp. sensor	110°C
10	Service flange		22	Safety Valve	option
11	Stop Pin		23	Economizer port	1 1/8", solder
12	Oil inlet connector	5/8"Flare	24	Solenoid valve	Stepless(NO), option

\*All stop valves are optional.



RC18F PARTICULAR  
Compressor Outline

