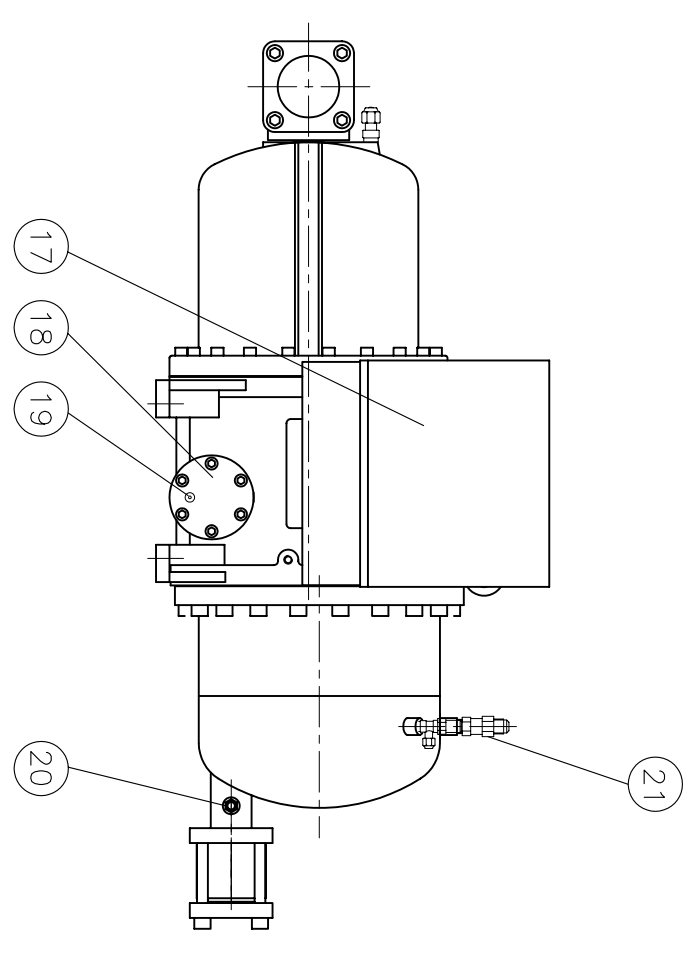
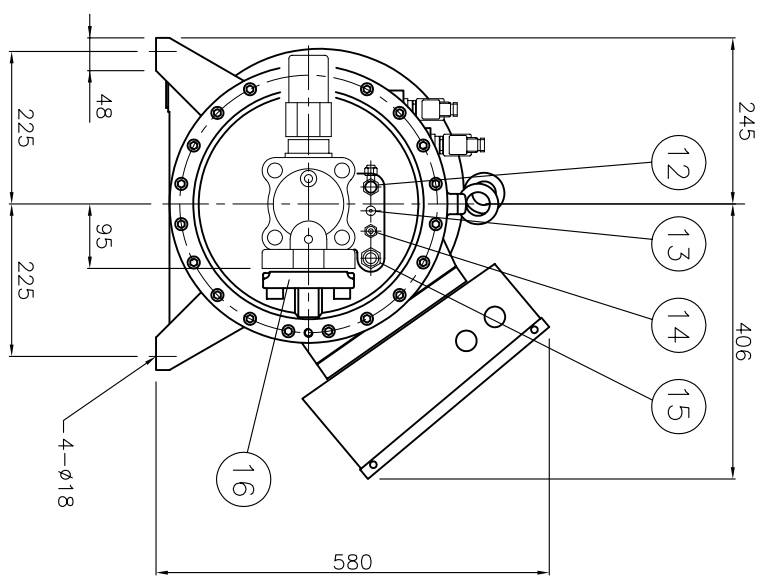
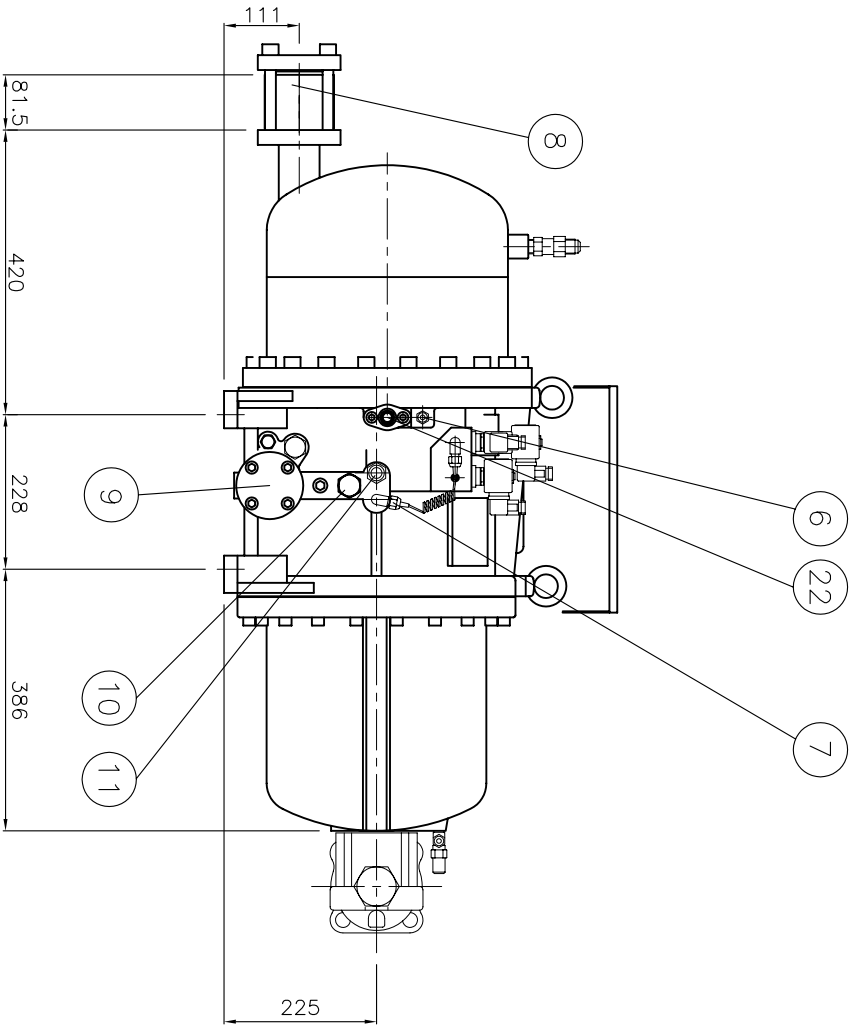
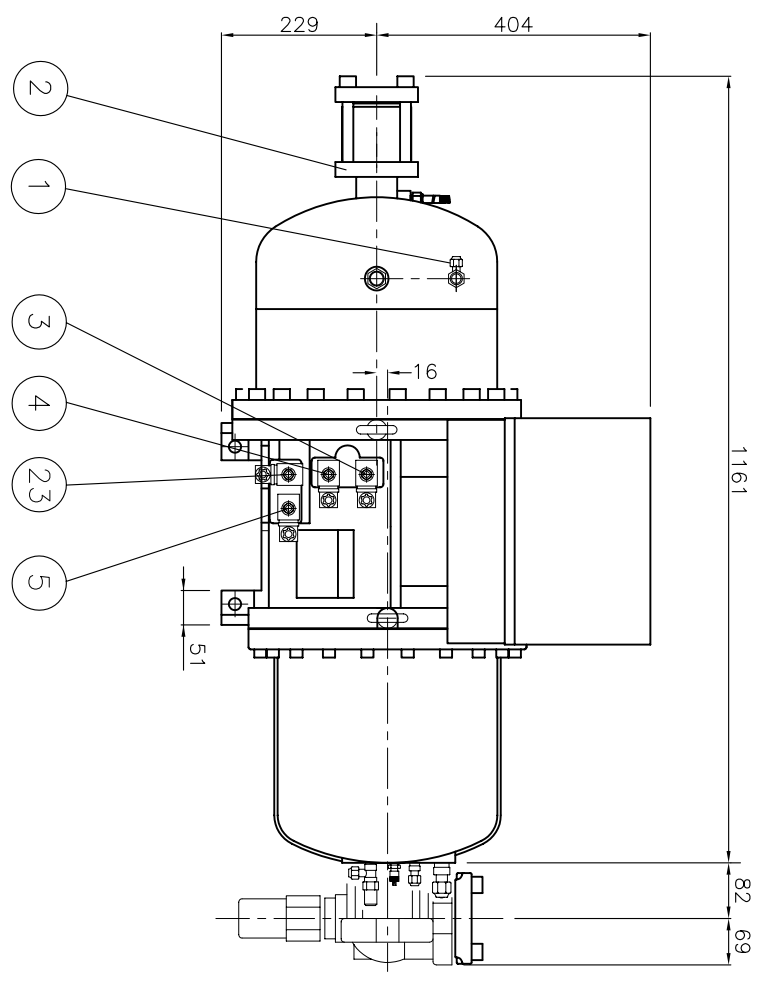


| No. | Name | Note | No. | Name | Note |
|-----|--|-------------------|-----|----------------------------|----------------------|
| 1 | Angle valve | 1/4"Flare | 13 | Refrigerant service valve | 1/4"Flare |
| 2 | Discharge flange | 2" | 14 | Connector | 1/4"Flare |
| 3 | Solenoid valve | 50%(NC) | 15 | Liquid injection connector | 5/8"Flare, option |
| 4 | Solenoid valve | 75%(NC) | 16 | Suction flange | 2 1/2" |
| 5 | Solenoid valve | 25%(NC) | 17 | Cable box | Large |
| 6 | Liquid(oil or refrigerant) injection connector | 1/4"Flare, option | 18 | Service flange | |
| 7 | Capillary | | 19 | Oil drain valve | option |
| 8 | Check valve | 2" | 20 | Discharge temp. sensor | 110°C |
| 9 | Service flange | | 21 | Safety Valve | option |
| 10 | Stop Pin | | 22 | Economizer port | 5/8", solder |
| 11 | Oil inlet connector | 5/8"Flare | 23 | Solenoid valve | Stepless(NO), option |
| 12 | Angle valve | 1/4"Flare | | | |

*All stop valves are optional!



RC13F PARTICULAR
Compressor Outline

