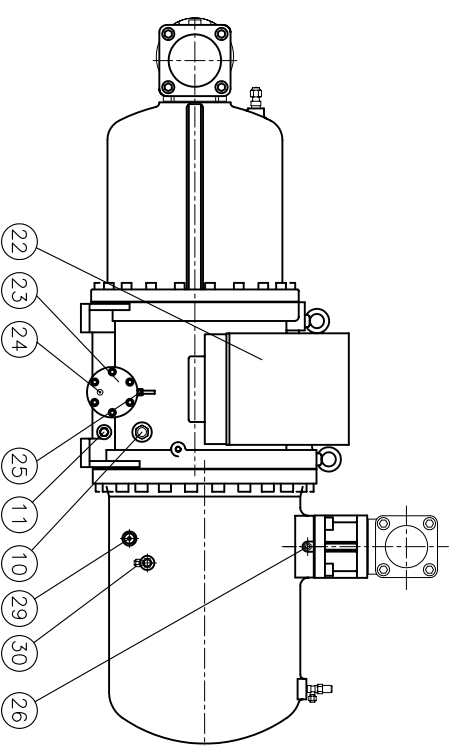
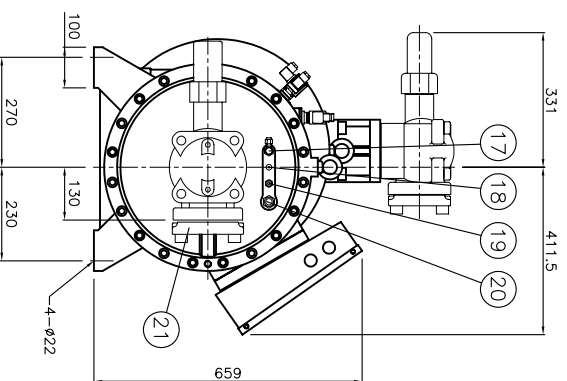
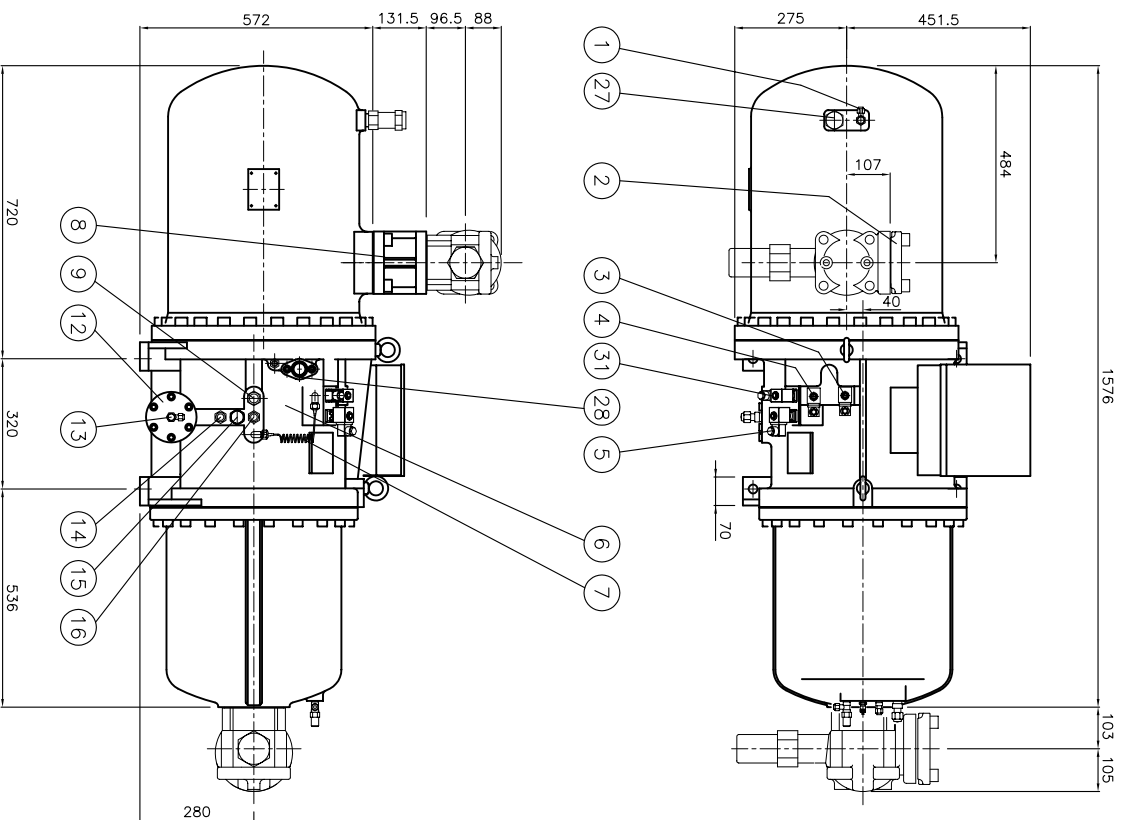


No.	Name	Note	No.	Name	Note
1	Angle valve	1/4"Flare	17	Angle valve	1/4"Flare
2	Discharge flange	3"	18	Refrigerant service valve	1/4"Flare
3	Solenoid valve	50%(NC)	19	Connector	1/4"Flare
4	Solenoid valve	75%(NC)	20	Liquid injection connector	5/8"Flare, option
5	Solenoid valve	25%(NC)	21	Suction flange	4"
6	Liquid(oil or refrigerant) injection connector	3/8"Flare, option	22	Cable box	Standard
7	Capillary		23	Service flange	
8	Check valve	3"	24	Oil drain valve	option
9	Oil flow sight glass		25	Oil level switch	option
10	Oil level sight glass		26	Discharge temp. sensor	110°C
11	Oil heater	150W/300W	27	Safety Valve	option
12	Oil filter cartridge		28	Economizer connector	1 1/8", solder
13	Oil pressure differential switch	option	29	Oil temp. sensor	option
14	Oil connector(out)	5/8"Flare, option	30	Over flow port	option
15	Stop pin	option	31	Solenoid valve	Stepless(NO), option
16	Oil connector(in)	5/8"Flare, option			

\*All stop valves are optional.



RC18  
Compressor Outline

