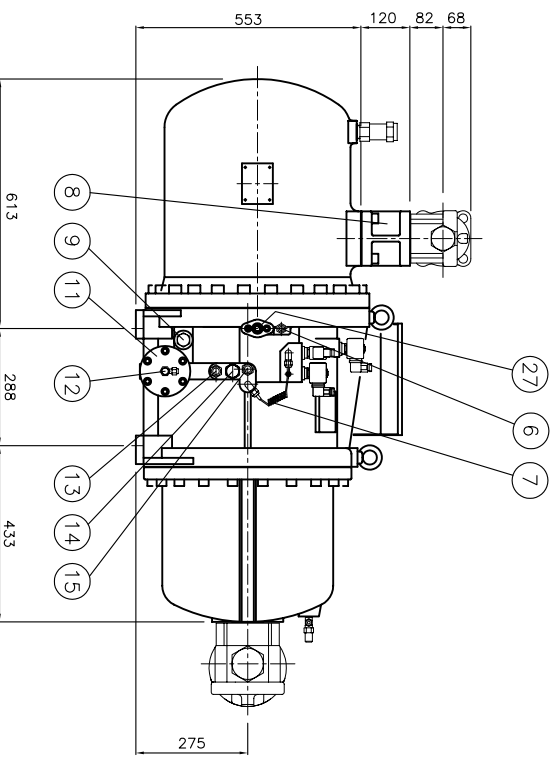
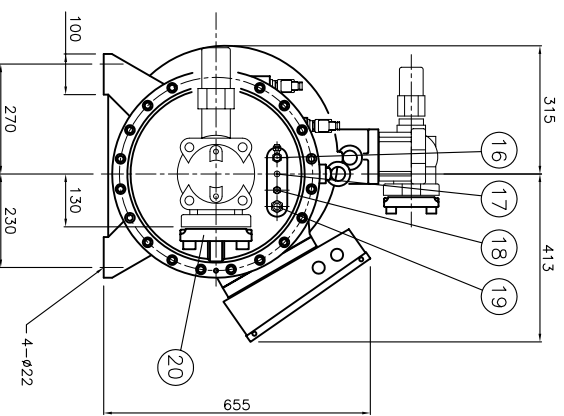


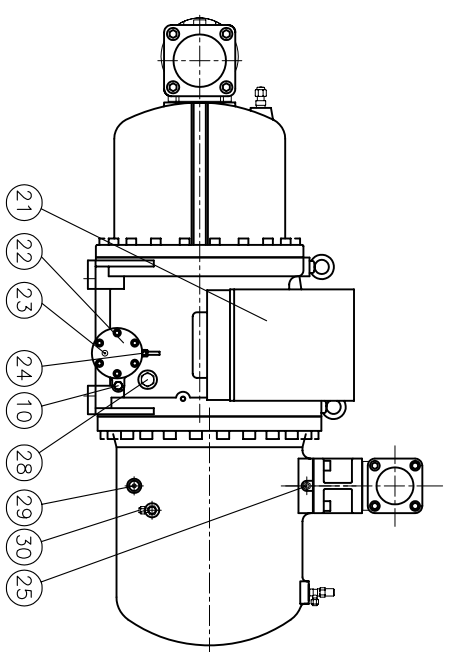
- 1
- 26
- 2
- 3
- 4
- 31
- 5



- 6
- 7
- 8
- 9
- 11
- 12
- 13
- 14
- 15



- 16
- 17
- 18
- 19
- 20



- 21
- 22
- 23
- 24
- 10
- 28
- 29
- 30
- 25
- 31

No.	Name	Note	No.	Name	Note
1	Angle valve	1/4"Flare	17	Refrigerant service valve	1/4"Flare
2	Discharge flange	2 1/2"	18	Connector	1/4"Flare
3	Solenoid valve	50%(NC)	19	Liquid injection connector	5/8"Flare, option
4	Solenoid valve	75%(NC)	20	Suction flange	4"
5	Solenoid valve	25%(NC)	21	Cable box	Standard
6	Liquid(oil or refrigerant) injection connector	3/8"Flare, option	22	Service flange	
7	Capillary		23	Oil drain valve	option
8	Check valve	2 1/2"	24	Oil level switch	option
9	Oil sight glass	Low side	25	Discharge temp. sensor	110°C
10	Oil heater	150W/300W	26	Safety Valve	option
11	Oil filter cartridge		27	Economizer port	7/8", solder
12	Oil pressure differential switch	option	28	Oil sight glass	High side
13	Oil cooler connector(out)	5/8"Flare, option	29	Oil temp. sensor	option
14	Stop pin	option	30	Over flow port	option
15	Oil cooler(in) connector	5/8"Flare, option	31	Solenoid valve	Stepless(NO), option
16	Angle valve	1/4"Flare			

*All stop valves are optional

RC16
Compressor Outline

