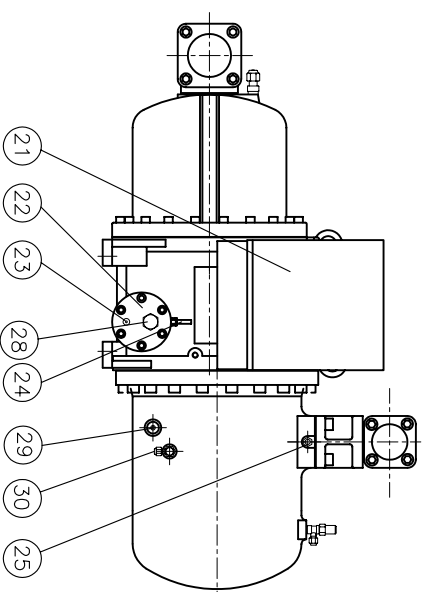
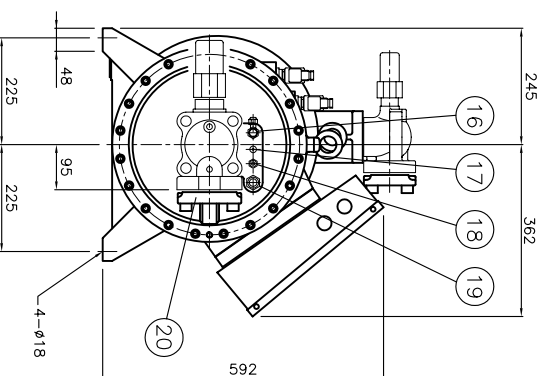
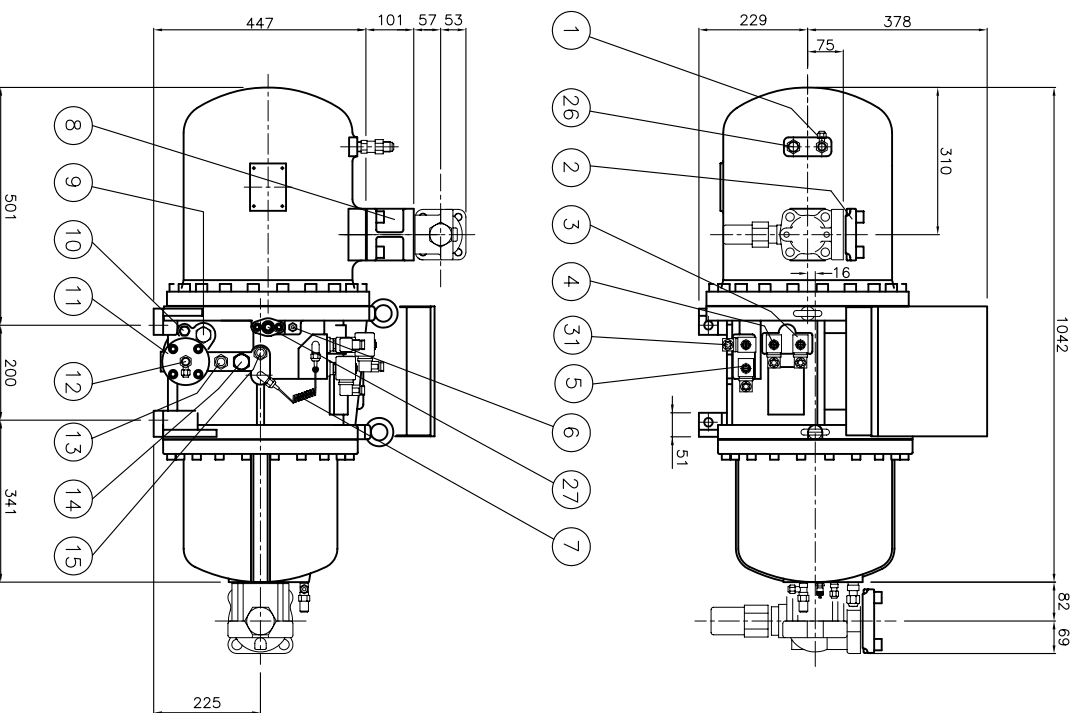


No.	Name	Note	No.	Name	Note
1	Angle valve	1/4"Flare	17	Refrigerant service valve	1/4"Flare
2	Discharge flange	1 1/2"	18	Connector	1/4"Flare
3	Solenoid valve	50%(NC)	19	Liquid injection connector	5/8"Flare, option
4	Solenoid valve	75%(NC)	20	Suction flange	2 1/2"
5	Solenoid valve	25%(NC)	21	Cable box	Standard
6	Liquid(oil or refrigerant) injection connector	1/4"Flare, option	22	Service flange	
7	Capillary		23	Oil drain valve	option
8	Check valve	1 1/2"	24	Oil level switch	option
9	Oil sight glass		25	Discharge temp. sensor	110°C
10	Oil heater	150W/300W	26	Safety Valve	option
11	Oil filter cartridge		27	Economizer port	5/8", solder
12	Oil pressure differential switch	option	28	Oil sight glass	option
13	Oil cooler(out) connector(out)	5/8"Flare, option	29	Oil temp. sensor	option
14	Stop pin	option	30	Over flow port	option
15	Oil cooler(in) connector(in)	5/8"Flare, option	31	Solenoid valve	option
16	Angle valve	1/4"Flare			Stepless(NO), option

\*All stop valves are optional



RC12  
Compressor Outline

